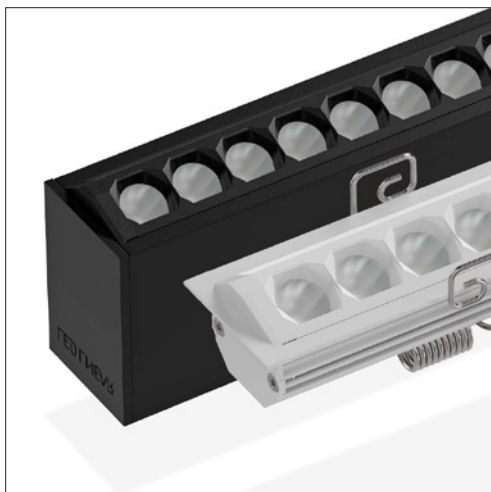


# MARS EVE Wall Wash – Part of the MARS ARCHITECTURAL family

Area: **Indoor**  
 Category: **Wall wash**  
 Mounting: **Recessed, Surface, Pendant**



## Luminaire for wall wash applications with outstanding homogeneity.

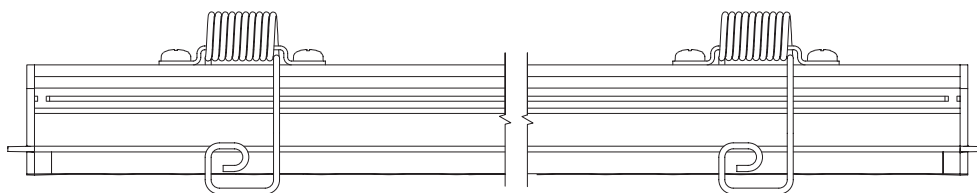
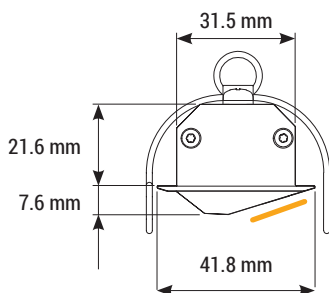
- The state-of-the-art optical system achieves superior homogeneity in the level of illumination and color consistency on walls. It reaches a ratio of 0.81 in the range between 2.45 m and 0.75 m above the floor with a ceiling height of 2.7 m.
- MARS EVE delivers perfect glare control while preventing all instances of longitudinal glare.
- In the interest of sustainability optional sensors and controls offer the means to significantly reduce energy consumption. The aluminium used is manufactured with energy from regenerative sources (max. 4 kg CO<sub>2</sub>e/kg, incl. all process steps (Scope 1, 2 and 3)). Modularity allows the exchange of drivers and lamp inserts to expand working lifetime. At the end of the use phase luminaires can be disassembled as no glue is used; most components are mono materials that can be easily recycled.
- MARS EVE is part of the larger MARS ARCHITECTURAL family and fully benefits from all its options, making it versatile and flexible due to its modularity. Options include three mounting possibilities, three housing colors and shapes, as well as several power levels and color temperatures plus tunable white, free choice of lengths and even continuous rows.
- The luminaire is engineered to eliminate multi-shadowing, ensuring no shadows are cast on the illuminated wall by viewers in front of it, even at a short distance of 0.3 m. Likewise no distracting scalloping on wall or ceiling is produced.
- MARS EVE has a damage factor < 0.2 for color temperatures of 3,500 K and warmer while maintaining an excellent color rendering up to 95, making it suitable to illuminate art and historical objects.
- The optics protrude a mere 7.6 mm out of the ceiling when installed recessed, ensuring distraction on the ceiling is kept to a minimum.

Detailed specification text in download section.

## DIMENSIONS & AVAILABLE PROFILES

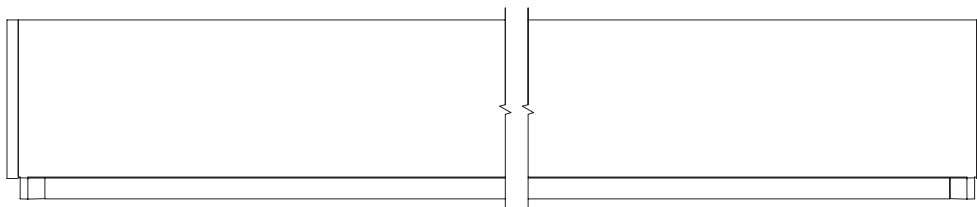
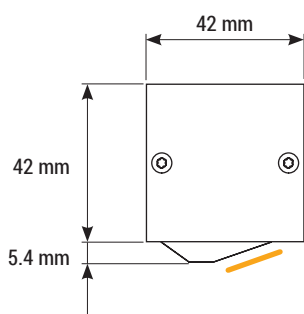
### Type 24

Recessed  
 External driver



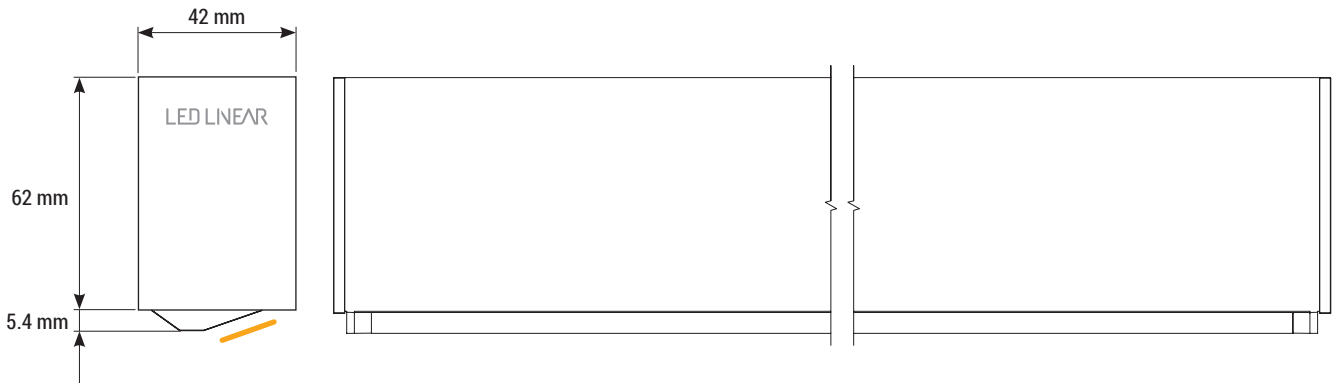
### Type 42

Surface / Pendant  
 External driver



## Type 62

surface/pendant  
internal or external driver

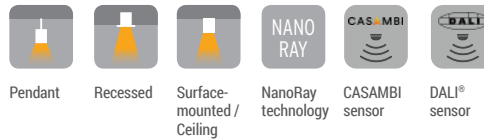


## TECHNICAL SPECIFICATIONS

### Certifications



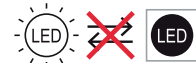
### Family Key Features



### Awards



### Technical Data/Performance



Compliant with EU Ecodesign guidelines

## ELECTRICAL & OUTPUT DATA

Voltage	24 Volt (23 V <sub>min</sub> , 25 V <sub>max</sub> ) for external PSU; 220 Volt for integrated PSU
Case Temperature (T <sub>Cmin</sub> & T <sub>Cmax</sub> )	T <sub>Cmin</sub> = -25°C, T <sub>Cmax</sub> = specific, see Table below
Storage Temperature (T <sub>Smin</sub> & T <sub>Smax</sub> )	T <sub>Smin</sub> = -30°C, T <sub>Smax</sub> = 85°C
Ambient Temperature (T <sub>Amin</sub> & T <sub>Amax</sub> )	T <sub>Amin</sub> = -25°C, T <sub>Amax</sub> = specific, see Table below
Electrical class	I (internal PSU); III (external PSU)

MARS EVE Wall Wash Static White	LD15	LD25	LD40	MARS EVE Wall Wash Tunable White	LD40
Power (W/m) <sup>B, D</sup>	15	25	40	Power (W/m) <sup>B, D</sup>	40
Efficacy (lm/W) <sup>B, D</sup> (up to)	85	85	73	Efficacy (lm/W) <sup>B, D</sup> (up to)	86
max. length (m)	3.02	3.02	2.02	max. length (m)	2.02
CRI / R9 (up to)	95 / 86	95 / 86	95 / 86	CRI / R9 (up to)	85 / 22
Temperature Tc-point (T <sub>Cmax</sub> ) <sup>C</sup>	55°C	60°C	70°C	Temperature Tc-point (T <sub>Cmax</sub> ) <sup>C</sup>	75°C
max. ambient temp. (T <sub>Amax</sub> )	45°C	40°C	35°C	max. ambient temp. (T <sub>Amax</sub> )	35°C

		low output		high output		low output		high output
MARS EVE Wall Wash Static White		LD15	LD25	LD40		LD15	LD25	LD40
Color code / Color temperature		luminaire lumens/meter (lm/m) <sup>A</sup> @ white anti-glare				luminaire lumens/meter (lm/m) <sup>A</sup> @ black anti-glare		
● W927 2,700 K		1181	1951	2700		1050	1734	2400
● W930 3,000 K		1224	2016	2794		1088	1792	2483
● W935 3,500 K		1238	2052	2844		1101	1824	2528
● W940 4,000 K		1282	2117	2930		1139	1882	2605

MARS EVE Wall Wash Tunable White		LD40		LD40
Color code / Color temperature		luminaire lumens/meter (lm/m) <sup>A</sup> @ white anti-glare		luminaire lumens/meter (lm/m) <sup>A</sup> @ black anti-glare
● W822 2,200 K			1476	1312
● W850 5,000 K			1944	1728
Total			3420	3040

! Use the online configurator to configure the specific luminaire.

<sup>B)</sup> The given data are typical values. Due to tolerances of the production process and the electrical components, photometric values and electrical power can vary up to 10%

<sup>C)</sup> The Tc-point should be measured in thermal equilibrium according to IEC EN 60598-1.

<sup>D)</sup> Efficacy and wattage refer to light engine and optics, without consideration of driver.

## AVAILABLE OPTICS

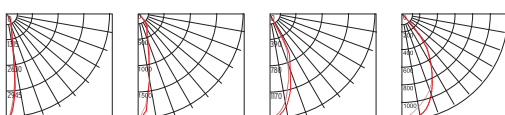
### Wall wash optics



Optimal glare control

### Other optics available as part of the MARS ARCHITECTURAL family

#### Nano optics



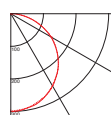
15°

25°

40°

65°

#### Cover



opal

## ORDER CODE

Example:

MARS ARCHITECTURAL PIS62 WW 25W927 BBID 1520

## TYPICAL APPLICATIONS

### Configure now!

#### Options for the order code: Your selections ■:

##### Mounting type

- Recessed —  R (only as Type 24)
- Surface —  S
- Pendant —  P

##### Driver

- Integrated driver —  I (only for Type 62)
- External driver —  E (mandatory for types 24 and 42)

##### Variant

- Stand-alone —  S
- Continuous row —  C

##### Form factor

- Type 24 —  24 (recessed only)
- Type 42 —  42 (surface and pendant)
- Type 62 —  62 (surface and pendant)

##### Optics

- Wall wash —  WW

##### LED light engine

- 15 W/m —  15
- 25 W/m —  25
- 40 W/m —  40
- Tunable White with 40 W/m —  40

##### Color temperature

- 2,700 K —  W927
- 3,000 K —  W930
- 3,500 K —  W935
- 4,000 K —  W940
- Tunable White  
with 2,200 K - 5,000 K —  IQW2250

##### Housing color

- Black —  B
- White —  W
- Silver —  S (not available for type 24)

##### Anti-glare color

- Black —  B
- White —  W

##### Power supply

- Integrated driver (220 V) —  I (only for integrated driver)
- Integrated driver (220 V)  
for emergency lighting —  N (only for integrated driver)
- External driver (220 V) —  E (only for external driver)
- Canopy with driver (220 V) —  C (only for external driver)
- Without driver —  X (no driver included)

##### Control

- CASAMBI —  C (not available for integrated controls)
- DALI® —  D (DT-6 for static white, DT-8 for tunable white)
- Controller + integrated  
CASAMBI sensor —  E\*
- DALI® sensor —  F\*
- Without controller —  X

##### Length

See right for possible lengths



## POSSIBLE LENGTHS

### Type 24

#### Static White

Fixture built to length (not field cuttable):  $L = (N \times 125 \text{ mm}) + 14 \text{ mm}$ ;  
 $L_{\min} = 139 \text{ mm}$ ; LD15/LD25:  $L_{\max} = 3,014 \text{ mm}$ ; LD40:  $L_{\max} = 2,014 \text{ mm}$

#### Tunable White

Fixture built to length (not field-cuttable):  $L = (N \times 250 \text{ mm}) + 14 \text{ mm}$ ;  
 $L_{\min} = 264 \text{ mm}$ ,  $L_{\max} = 2,014 \text{ mm}$

### Type 42 and Type 62

#### Static White

Fixture built to length (not field cuttable):  $L = (N \times 125 \text{ mm}) + 20 \text{ mm}$ ;  
 $L_{\min} = 395 \text{ mm}$ ; LD15/LD25:  $L_{\max} = 3,020 \text{ mm}$ ; LD40:  $L_{\max} = 2,020 \text{ mm}$ ;  
 with integrated driver the minimum length increases to 770 mm; with driver  
 and controller to 770 mm; with driver, controller and sensor to 895 mm.

#### Tunable White

Fixture built to length (not field-cuttable):  $L = (N \times 250 \text{ mm}) + 20 \text{ mm}$ ;  
 $L_{\min} = 270 \text{ mm}$ ,  $L_{\max} = 2,020 \text{ mm}$ ;  
 with integrated driver and controller the minimum length increases to  
 1,020 mm; with driver, controller and sensor to 1,145 mm.

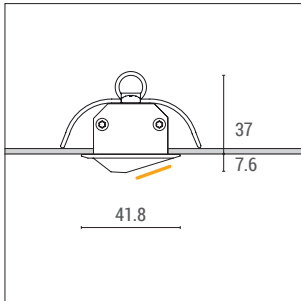
Please refer to online configurator for exact combinations  
 and lengths of Continuous row possible.

\* sensors can only be integrated into type 62, integrated driver mandatory, if external driver was chosen, sensor is external too.

## MOUNTING All dimensions in mm.

### Recessed

Recessed with trim  
(external driver)



### Mounting accessories

No additional accessories are required for this mounting option.

### Description

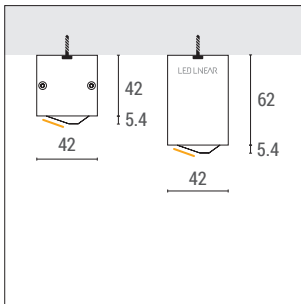
The mounting springs are already fitted to the luminaire.

### Example of application



### Surface

Surface-mounted, horizontal



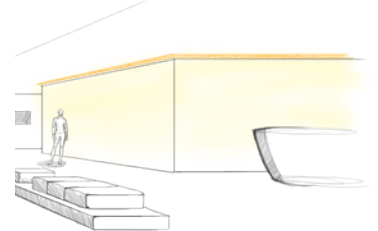
### Mounting accessories

No additional accessories are required for this mounting option.

### Description

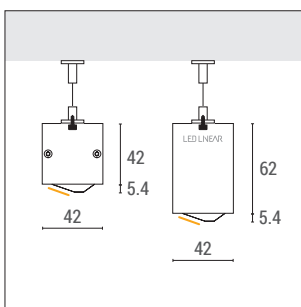
Simple installation by just screwing the profile onto the ceiling thanks to pre-drilled holes.

### Example of application



### Pendant

Pendant



### Mounting accessories

The required accessories for pendant mounting are included with the luminaire.



VarioPendant  
4242/4262 C  
Art.-#: 13000106

### Description

Pendant set with screws for installations directly on the ceiling. Recommended to use every 1 m.

### Example of application



**VOLTAGE DROP INFORMATION FOR THE FEED-IN LINE (EXTERNAL PSU / CONTROLS TO FIXTURE)****0.34 mm<sup>2</sup> / AWG 22**

MARS EVE Wall Wash Static White			MARS EVE Wall Wash Tunable White			
LD15	LD25	LD40	LD40			
Product run length	Max. cable length between PSU / Control unit and the luminaire			Product run length	Max. cable length between PSU / Control unit and the luminaire	
1 m	12.9 m	7.7 m	4.8 m	1 m	4.8 m	
2 m	6.4 m	3.8 m	2.4 m	2 m	2.4 m	
3 m	4.3 m	2.5 m	–	3 m	–	

**1.5 mm<sup>2</sup> / AWG 15**

MARS EVE Wall Wash Static White			MARS EVE Wall Wash Tunable White			
LD15	LD25	LD40	LD40			
Product run length	Max. cable length between PSU / Control unit and the luminaire			Product run length	Max. cable length between PSU / Control unit and the luminaire	
1 m	57.1 m	34.2 m	21.4 m	1 m	21.4 m	
2 m	28.5 m	17.1 m	10.7 m	2 m	10.7 m	
3 m	19 m	11.4 m	–	3 m	–	

Calculation refers to the cable configuration on site.

The information listed in the table is only refers to the conductor-based voltage drop of max. 0.85 V at 24 V DC input voltage.