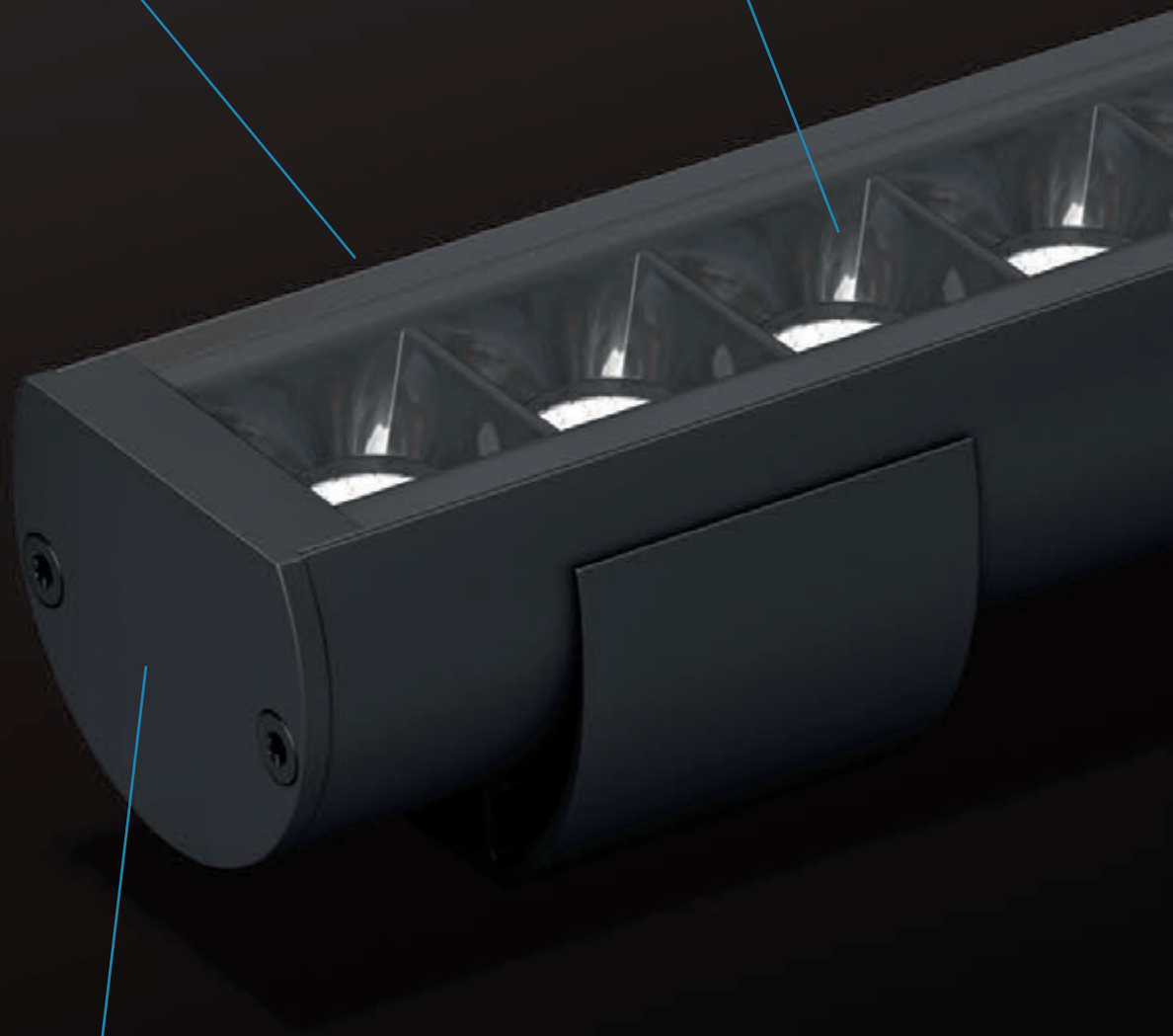


LYRA 36 NANO implements advanced 15°, 25°, 40° or 65° nano lens optics which offers an optimal light distribution control with minimal color over angle. In combination with a stylish antiglare cover, it guarantees an excellent glare reduction with an UGR < 13. Various lumen outputs can be chosen up to 4,170 lm/m 1,270 lm/ft which overall cover a large variety of applications.

Its elegant and minimal-invasive mounting clips offer an easy installation as pendant or surface-mounted luminaire.



A chic round luminaire with a diameter of 36 mm (1,42") made of extruded aluminum available in silver or black. Available in length up to 4,014 mm (13.2'), it offers a versatile general and task lighting solution with an unconventional form factor.

NEW



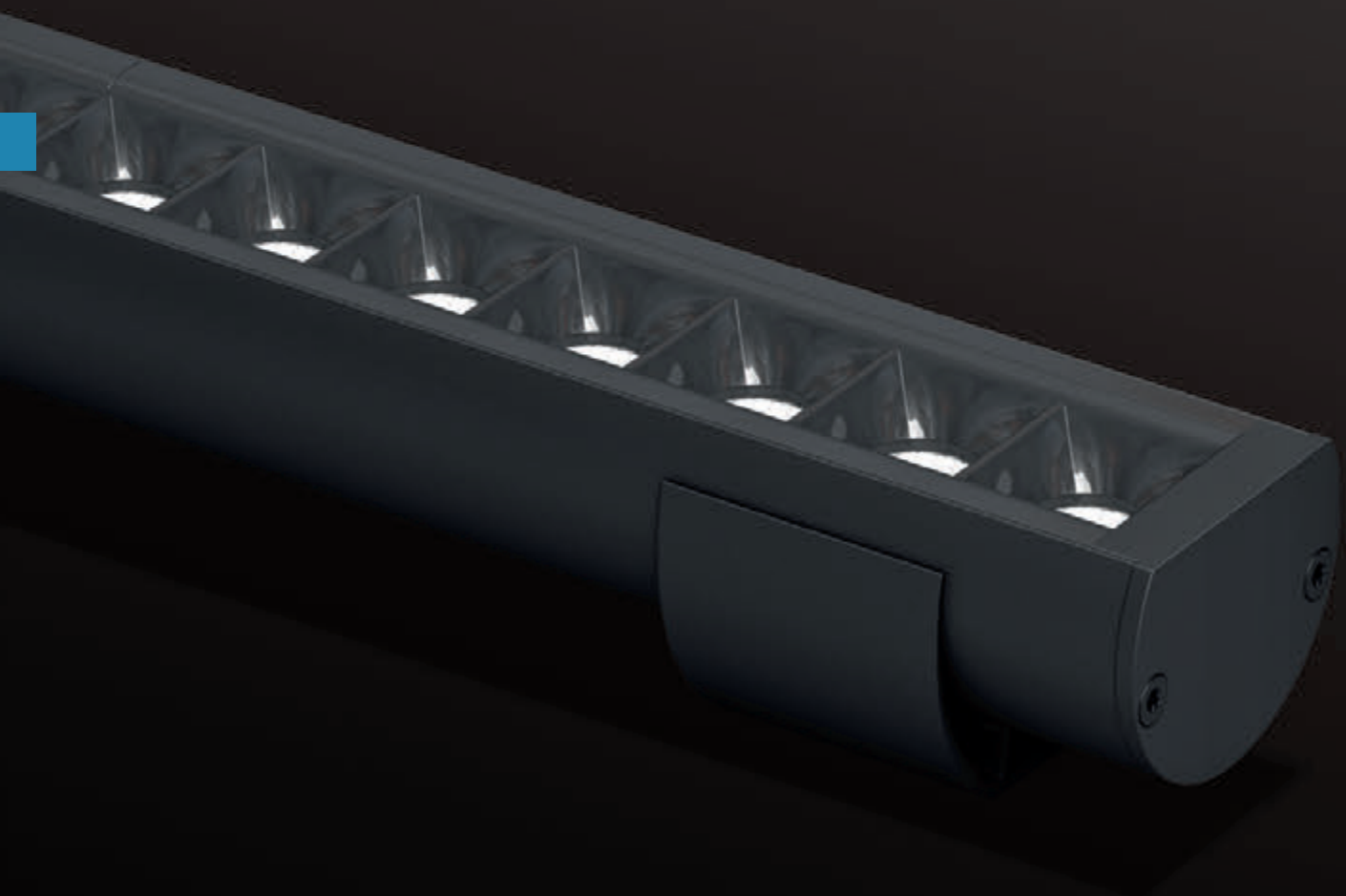
LYRA 36 NANO IP40

**NanoRay**

LED LINEAR™ TECHNOLOGY


Round cross section linear LED luminaire  
for indoor general and task lighting.







## LYRA 36 NANO IP40

	Voltage (V)	CRI	Lumen/W (lm/W)	Watt/m / Watt/ft (W/m / W/ft)	Lumen/m <sup>A</sup> / Lumen/ft <sup>A</sup> (lm/m / lm/ft)	max. serial run length (m / ft)	Page
 LYRA 36 NANO White NEXUS IP40							
LD5	24	95	104	5 / 1.5	500 / 150	4 / 13.1	304
LD10	24	95	98	10 / 3.1	940 / 290	4 / 13.1	
LD15	24	95	105	15 / 4.6	1,570 / 480	4 / 13.1	
LD25	24	95	104	25 / 7.6	2,600 / 790	3 / 9.8	
LD40	24	85	90	40 / 12.2	3,590 / 1,095	2 / 6.6	

<sup>A</sup>@W850. At warmer light colors the luminous flux is reduced.

### NanoRay

LED LINEAR™ TECHNOLOGY

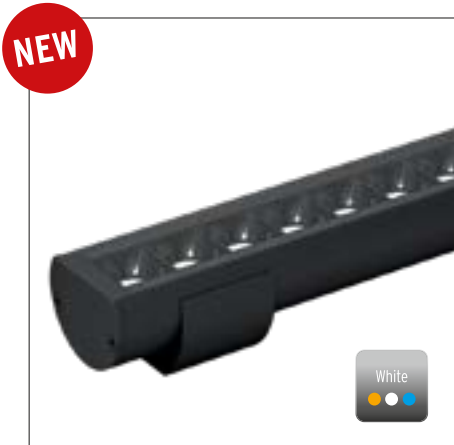
#### Round cross section linear LED luminaire

Cross section	36 mm 1.42" diameter
Length	up to 4,014 mm 13.2'
Power	4.8 W/m - 40 W/m 1.5 W/ft - 12.2 W/ft
Luminous flux	up to 3,590 lm/m 1,095 lm/ft
Efficacy	up to 125 lm/W
Beam angle/optics	15°, 25°, 40° or 65°
Color temperature/Color	2,000 K - 5,000 K
CRI	up to 95

IP40

White

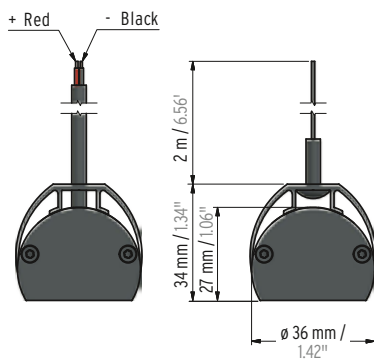
# LYRA 36 NANO White IP40<sup>A</sup>



24 V linear LED luminaire in IP40 in a round, stylish aluminum profile with a diameter of 38 mm (1.5"). Extruded and anodized aluminum housing profile and screwed aluminum end caps available in silver or black color. Can be surface-mounted or pendant and swiveled by almost 360°. Delivered with 2 m (6.56') open end black cable. Nanometric lenses optics technology enabling accurate 15°, 25°, 40° or 65° beam angle gaussian lighting distribution. Antiglare optics available in black or white offering a UGR as low as < 13 for an optimal visual comfort. Light source assembled using state of the art automated Reel to Reel (R2R) production process supporting LED Linear™ Tj Away® thin flexible circuit board technology. In combination with Chip Scale Package LEDs (CSP) a thermal resistivity of 5.33 K/W is achieved for an optimal heat dissipation (junction to profile) which guaran-

tees an outstanding lifetime of > 60,000 hrs L80/B10. Embeds high quality LEDs with 3 step MacAdams (SDCM3) binning centered on target CCT (One Bin Only) with an extended photometric code of Wxxx/339 ensuring an exceptional color consistency over the rated lifetime. Premium color rendition with a CRI of 95 (R9 = 85) and TM-30-15 up to  $R_t = 95 / R_g = 100$  ensuring a remarkable light quality. Consistent light intensity all along the luminaire length is obtained thanks to active current regulation operated by dedicated integrated circuits (ICs) on each step. Protected against electrostatic discharge  $\pm 2,000$  V and polarity miswiring. Fully PWM dimmable for frequency > 0 Hz up to 2 kHz (flicker free for frequency higher than 1.2 kHz according to IEEE P1789 standard). Engineered and produced in Germany.

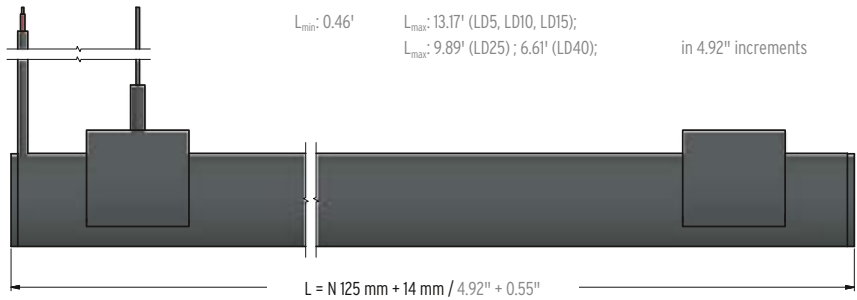
## Dimensions & available lengths



Fixture build to length (not field cuttable):

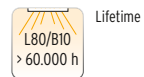
**NEXUS LD**  $L_{min}$ : 139 mm  $L_{max}$ : 4,014 mm (LD5, LD10, LD15);  
 $L_{max}$ : 3,014 mm (LD25); 2,014 mm (LD40); in 125 mm increments

$L_{min}$ : 0.46'  $L_{max}$ : 13.17' (LD5, LD10, LD15);  
 $L_{max}$ : 9.89' (LD25); 6.61' (LD40); in 4.92" increments



## Electrical & output data

Voltage	24 Volt (23 V <sub>min</sub> , 25 V <sub>max</sub> )
Temperature <sup>B</sup>	T <sub>Cmin</sub> = -20°C / -4°F, T <sub>Cmax</sub> = 65°C / 149°F
Storage temperature	T <sub>Smin</sub> = -30°C / -22°F, T <sub>Smax</sub> = 85°C / 185°F
Ambient temperature	T <sub>Amin</sub> = -20°C / -4°F, T <sub>Amax</sub> = specific, see Table below
CRI / R9 (@ W830)	95/85 (W930)
R <sub>t</sub> / R <sub>g</sub> (@ W830)	95/100 (W930)



LYRA 36 NANO NEXUS	LD5	LD10	LD15	LD25	LD40
Power (W/m / W/ft) <sup>A</sup>	4.8 / 1.5	9.6 / 2.9	15 / 4.6	25 / 7.6	40 / 12.2
Efficacy (lm/W) <sup>A</sup> @ W850	104	98	105	104	90
max. length (m / ft)	4.1 / 13.5	4.1 / 13.5	4.1 / 13.5	3.1 / 10.2	2.1 / 6.9
max. Ambient temperature (T <sub>Amax</sub> ) <sup>B</sup>	50°C / 122°F	50°C / 122°F	40°C / 104°F	40°C / 104°F	35°C / 95°F

Color temperature		LD5	LD10	LD15	LD25	LD40
		low output	lumen/meter (lm/m) <sup>A</sup> lumen/feet (lm/ft) <sup>A</sup> @ 15° Optic			
● W822	2,200 K	380 / 120	740 / 230	1,160 / 350	1,910 / 580	2,650 / 810
● W927	2,700 K	400 / 120	780 / 240	1,230 / 370	2,030 / 620	2,810 / 860
● W930	3,000 K	410 / 120	800 / 240	1,280 / 390	2,100 / 640	2,910 / 890
● W935	3,500 K	420 / 130	820 / 250	1,290 / 390	2,140 / 650	2,960 / 900
● W940	4,000 K	440 / 130	840 / 260	1,340 / 410	2,210 / 670	3,050 / 930
● W850	5,000 K	500 / 150	940 / 290	1,570 / 480	2,600 / 790	3,590 / 1,090

<sup>A</sup> The given data are typical values. Due to tolerances of the production process and the electrical components, values for light output and electrical power can vary up to 10%.

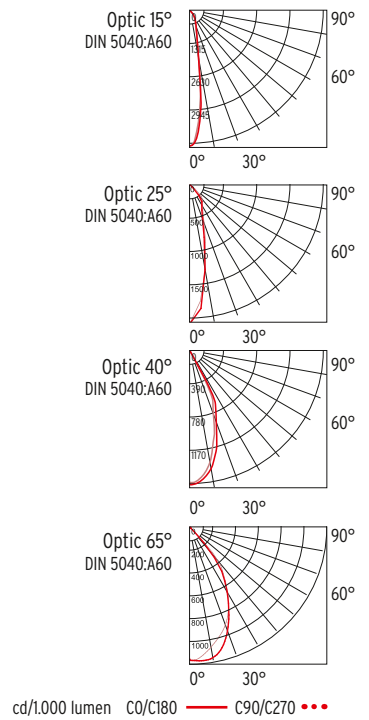
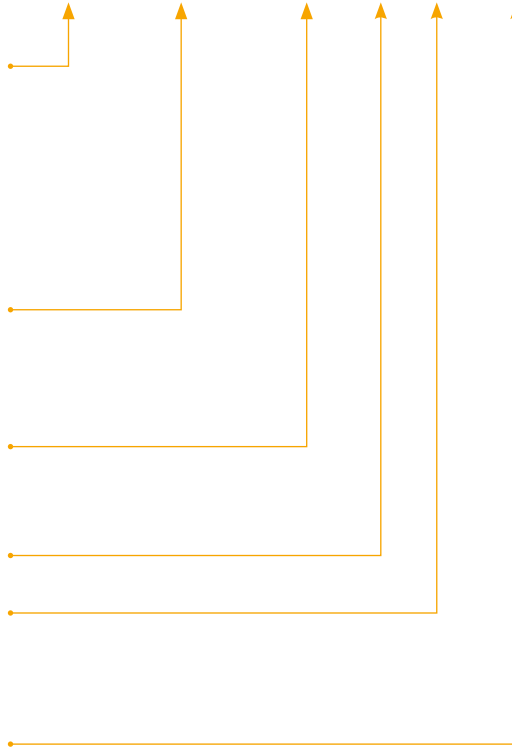
<sup>B</sup> The T<sub>C</sub>-point should be measured in thermal equilibrium according to IEC EN 60598-1.

## Order code

Your order code	LYRA 36 NANO	LD__	W__	_____	__	__	IP40
Order code example	LYRA 36 NANO	LD10	W940	4014	B	15	IP40

<b>LED tape</b>	
NEXUS LD5 .....	LD5
NEXUS LD10 .....	LD10
NEXUS LD15 .....	LD15
NEXUS LD25 .....	LD25
NEXUS LD40 .....	LD40
<b>Color temperature</b>	
2,200 K (W822) .....	822
2,700 K (W927) .....	927
3,000 K (W930) .....	930
3,500 K (W935) .....	935
4,000 K (W940) .....	940
5,000 K (W850) .....	850
<b>Length</b>	
L <sub>min</sub> : 139 mm (0.46');	
L <sub>max</sub> : 4,014 mm (13.17') for LD5, LD10, LD15;	
3,014 mm (9.89') for LD25 ; 2,014 mm (6.61') for LD40;	
in 125 mm (4.92") increments	
<b>Profile color</b>	
Silver .....	S
Black .....	B
<b>Optic options</b>	
15° Optic .....	15
25° Optic .....	25
40° Optic .....	40
65° Optic .....	65
<b>Ingress protection</b>	
IP40 .....	IP40

\*Dot free



## Please choose your accessories

Fixture comes with 2 m / 6.56' open end cable. Please choose from accessories for ceiling/wall or pendant mounting.

Pendant	Art.-#	
<input type="checkbox"/> VarioPendant LYRA 36 NANO Set Silver	13000300-SIL	
<input type="checkbox"/> VarioPendant LYRA 36 NANO Set Black	13000300-SCH	

One set per linear meter required but at least two sets per fixture.

Surface mounted	Art.-#	
<input type="checkbox"/> VarioClip LYRA 36 NANO Silver	13000267-SIL	
<input type="checkbox"/> VarioClip LYRA 36 NANO Black	13000267-SCH	

Recommended power supply	Art.-#	
<input type="checkbox"/> Power Supply Unit IP20	16000178	

Recommended control unit	Art.-#	
<input type="checkbox"/> Control System White/IQ-White	16000268-DT6	